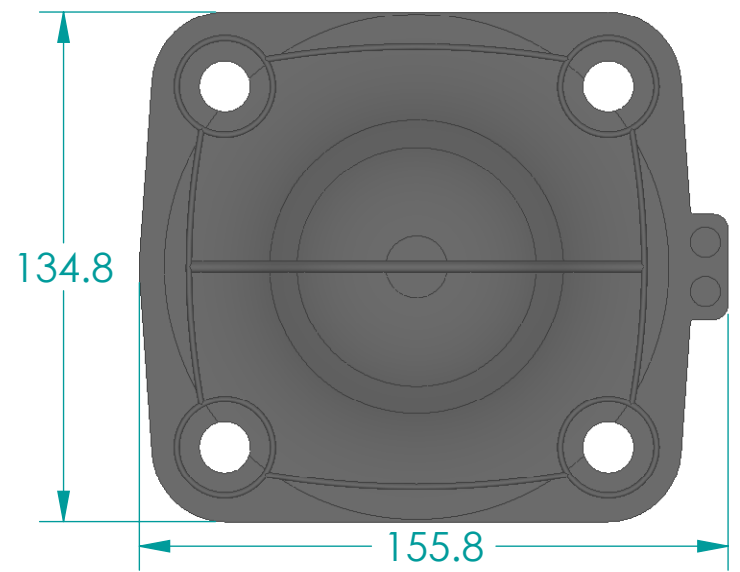
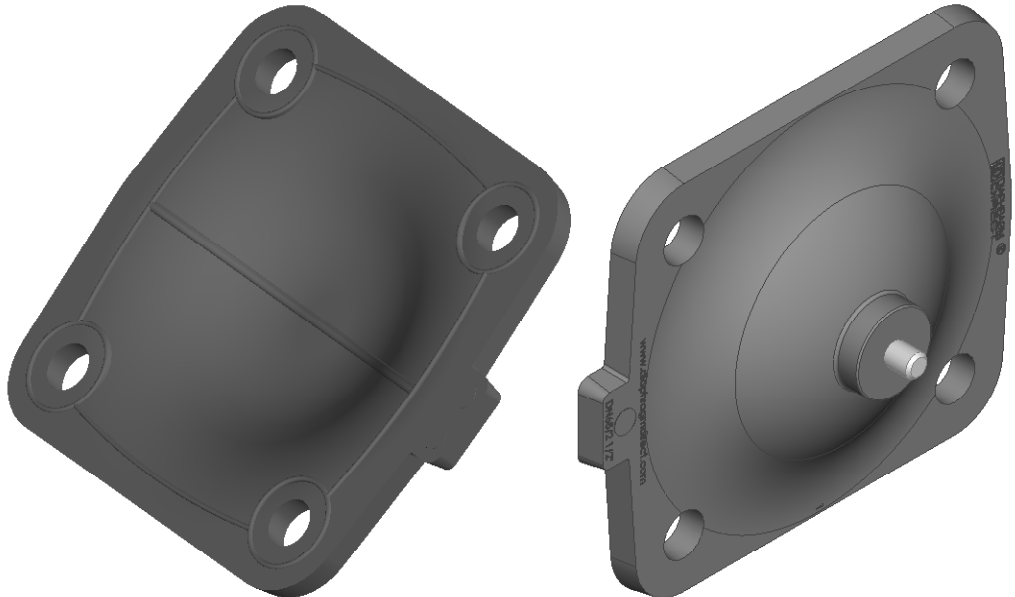
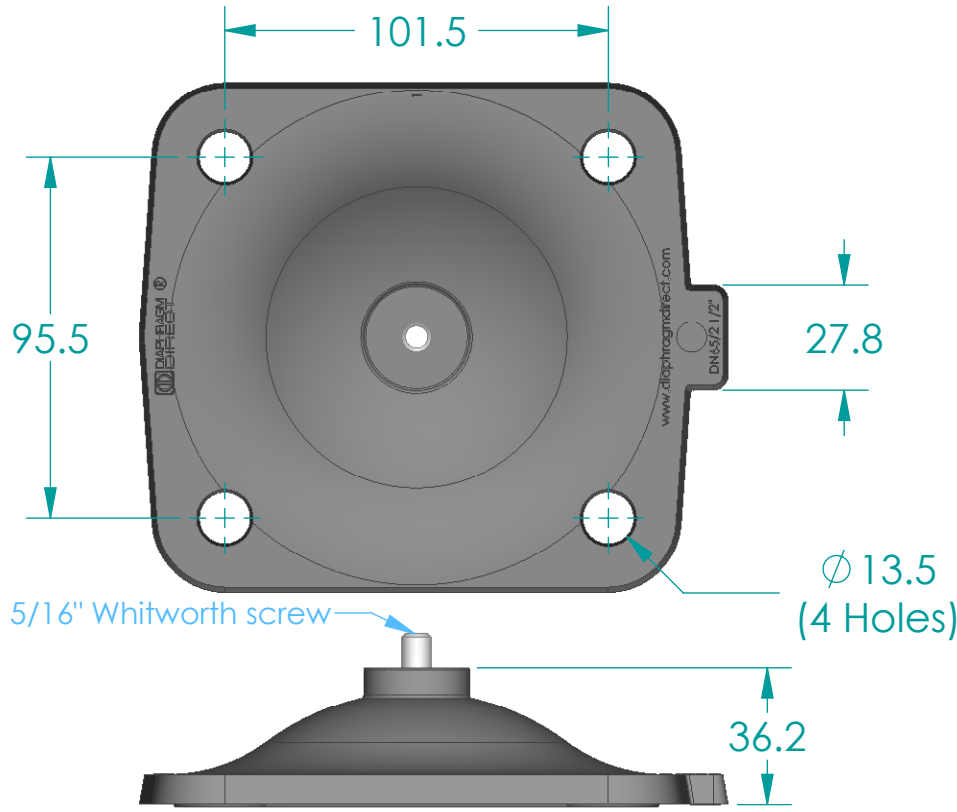


Revision History

| Rev | Description | Date | Approved |
|-----|-----------------------------|----------|----------|
| B | OEM PART changed to DA065B1 | 27/02/22 | JB |



Replacement Diaphragm for:-
OEM PART = DA065B1
USED ON 2.5" (DN65) Diaphragm Valve

Disclaimer - Diaphragm Direct® does not manufacture, represent, nor sell OEM valves or diaphragms manufactured by any other company. Diaphragm Direct® brand diaphragms are not sponsored by any other manufacturers. Any name, model, part number, brand, image, material or referral is for descriptive purposes only. Diaphragm Direct® brand replacement diaphragms are guaranteed to fit OEM equipment and meet or exceed OEM specifications. Diaphragm Direct® brand replacement diaphragms are covered by the standard Diaphragm Direct® limited product warranty.

| | | | |
|---|-----------------------|--------------|------------------|
| | NAME | DATE | |
| DRAWN | M.Mc Keon | 27/02/22 | |
| CHECKED | | | |
| Material - BUTYL (IIR) | | | TITLE |
| Complies with CFR 177.2600 and Conforms to USP Class VI Biological Reactivity Tests Section #87 and #88 | | | DD25-SIIR |
| Size A | FOOT PRINT DIMENSIONS | | Rev B |
| File Name: | | | DD25-SIIR-B |
| SCALE: 1:2 | | Sheet 1 of 1 | |